

# Designing a distributed JVM on a cluster

John Zigman  
Department of Computer Science  
The Australian National University  
Canberra, ACT 0200, AUSTRALIA  
john@cs.anu.edu.au

Ramesh Sankaranarayana  
Department of Computer Science  
The Australian National University  
Canberra, ACT 0200, AUSTRALIA  
ramesh@cs.anu.edu.au

## ABSTRACT

dJVM provides a distributed Java Virtual Machine (JVM) on a cluster. It hides the distributed nature of the underlying machine from a Java application by presenting a *single system image* (SSI) to that application. dJVM is based on the Jikes RVM [1] (a JVM written entirely in Java) and is the first distributed implementation of the Jikes RVM. This provides a framework for exploring a range of distributed runtime support algorithms on large clusters. Implementing this system using the Jikes RVM raises a number of issues that are addressed in this paper.

**Key words:** cluster, Java, Java Virtual Machine, single system image.

## 1. INTRODUCTION

A significant number of server side applications are currently written in Java. The main advantage of Java programs is their portability, principally as a result of a clearly defined Java Virtual Machine [8]. In the past, the performance of Java programs have been much worse than that of corresponding C or C++ programs, resulting in the limited use of Java for writing applications that needed quick response times, like server applications. However, improvements in just-in-time (JIT) compilers have enabled Java programs to perform almost on par to similar C and C++ programs. This has resulted in Java being used to implement a significant proportion of server applications.

Server applications are typically multi-threaded, with limited interaction between threads servicing different clients. Scalability and performance are two important issues with such applications. Clusters of commodity hardware can provide a cheap solution to both of the above issues. However, to facilitate the use of such hardware without introducing additional programming complexity, it is necessary to provide an abstraction that efficiently uses the distributed nature of the hardware, while maintaining a unified view of the system. This allows a programmer to concentrate on

the task of reducing the level of synchronization without the need to address issues of distribution.

There are many projects working on solving this problem. The approach taken by them to provide an SSI can be broadly divided into three categories:

1. *Provide an implementation above the JVM.*

This is typically implemented by transforming the Java program from the non-distributed form into a form that incorporates the bytecode to implement distribution. These transformations can be done either:

- *Statically*—by transforming the Java classes prior to execution. Examples are [4], [7], [13], and [14].
- *Dynamically*—by transforming the Java classes upon loading using a replacement class loader technique [11].

However, this is not completely hidden from the program because of Java's introspection facilities.

2. *Build the JVM on top of a cluster enabled infrastructure.* For example, a distributed shared memory [9], [10] and [16]). While this presents a single system image of the cluster, it is incapable of taking advantage of the semantics of Java to improve efficiency and performance.
3. *Build a cluster aware JVM.* This is the approach we have taken. The JVM presents an SSI to the application, but is itself aware of the cluster. This opens up possibilities for optimization based on the semantics of Java. As far as we know, there is only one other group [2] that has taken a similar approach.

[6] provide extensions to the Java language to support distributed applications. However, the programmer has to make use of these extensions to distribute the objects and hence this does not provide a true SSI.

Our cluster aware implementation of a Java Virtual Machine is dJVM, which stands for *distributed Java Virtual Machine*. It is based on the Jikes RVM [1] and provides an SSI to Java applications. The target machine for the dJVM is a 96 node, 192 processor machine, Bunyip [5] running Linux. It has Fast Ethernet communication hardware using M-VIA [12] and a Linux implementation of the VI

Architecture [15] to provide low software overhead on inter-node communication. This will provide a good platform for evaluating the scalability of dJVM and distributed runtime support algorithms.

The Jikes RVM is written entirely in Java and provides an extensible framework for distributed virtual machines. There are two compilers in the Jikes RVM: the Baseline compiler and the Optimizing compiler. The Baseline compiler does not perform any analysis and translates Java bytecodes to a native equivalent. The optimizing compiler performs many aggressive optimizations. It can run on itself, producing competitive performance with production JVMs. This facility is leveraged to improve the performance of any extensions. In addition, it also provides several facilities including those for escape analysis, data dependence analysis and synchronization graphs, all of which are used, with extensions where required, to assist in the analysis of programs for load distribution. The initial design of dJVM targets the Baseline compiler; further development will be on the Optimizing compiler.

As far as we are aware, this is the first distributed implementation of a JVM written entirely in Java. One of the big advantages of such a JVM is that transformation and optimization mechanisms developed can be used both on application programs and on the JVM itself. The Jikes RVM exposes additional features that enable manipulation of system classes. This allows us to do the following:

- Reconfigure the core VM, as well as the application, for distribution (or any other purpose like persistence or optimization).
- Regenerate already loaded code to improve functionality as more of the application is loaded into the system.

The first point above can only be partially exploited, and the second not at all, in a JVM that is not written in Java. In developing the dJVM, we have only made marginal modifications to the Jikes compilers. This allows us to use the optimizing compiler and all of its various features to their full potential. All of the code will be made available under CPL.

The first goal, that of achieving an SSI, has been met. We have developed a prototype version of the dJVM that runs on workstations connected via Ethernet, as well as on several nodes of the Bunyip cluster. We are now in the process of modifying the prototype to use the current release of the Jikes RVM. This will be followed by optimizations on the system to improve performance. In order to enable an SSI, the following were some of the important issues that had to be addressed:

**Infrastructure** In order to construct a distributed VM, several infra-structural components needed to be altered. These include inter-node communication, the booting process and the use of system libraries.

**VM Modifications** The VM handles the manipulation of remote data in addition to local data. In order to

achieve this, class loading, method invocation and object access mechanisms had to be enhanced.

**Object Allocation and Placement** The allocation and placement of objects is crucial to distribution. Mechanisms to provide local and remote allocation of objects had to be put in place.

In this paper, we look at the above issues and provide broad outlines of our solutions. Implementation details are not dealt with in this paper. Section 2 deals with infrastructure, Section 3 with modifications to the Jikes RVM, Section 4 briefly discusses object allocation and placement and Section 5 outlines current status and future directions.

## 2. INFRASTRUCTURE

dJVM employs a *master-slave* architecture, in which one of the nodes acts as a *master* node and the rest are *slave* nodes. All global data is held at the master node, which also owns all of the classes in the system. Once the system is up and running, all of the class loading occurs initially at this node as well.

### 2.1 Building and Booting

The core of the Jikes RVM is used to generate the contents of the initial virtual machine image. This image incorporates a number of key classes essential to the functionality of the Jikes RVM including: class loading, type description structures, compiler(s), memory management and scheduling infrastructure. The build process utilizes the class loading, type and compilation systems to read and generate the essential components of the Jikes RVM image. Additionally, a number of classes, used to support remote objects and remote execution, are included in that image. Furthermore, not all runtime support classes become global; some of these remain local to a node. Consequently, only a subset of the core classes have transformations for distribution applied to them. The resulting image boots initially in a non-distributed context and later in a distributed context.

Booting loads the generated image into memory and executes a two phase boot process. The first completes the initialization of some of the runtime support structures for class loading, memory management, transforms and compilation that could not be incorporated into the boot image. The second phase sets up scheduling support for multi threading, allowing the daemon and main threads to execute. This provides adequate support to enable the boot phase for the distributed virtual machine.

The dJVM must activate the communication layer to support distribution. The master node coordinates the connection between all the slave nodes, resulting in each node connecting to every other node in the cluster. Once the connections are established, the classes initially loaded are given a consistent identity across the system, thereby enabling the communication daemons to function correctly.

The communication system (see Section 2.2) is started prior to enabling the remote class loading. It initiates the message systems and threads for handling requests. Consequently, it must be initiated after the scheduler is operational.

After the communication system is initiated, the local and remote class identities must be resolved (including any classes that are needed for this phase). Once this is done, all globally usable statics initialized at boot time must be coalesced. In general, it suffices to indicate that these values are now held by the master node.

Finally, remote class loading is enabled. From this point on, all class loading (see Section 3.1) on a slave node will interact with the master node. All class loading by the master will still be done locally.

The application thread is blocked until the communication processes and remote class loading are available, at which point the application thread can start executing the desired main method.

## 2.2 Communication

The communication mechanisms employed in dJVM provide a simple abstraction over the underlying interfaces. This abstraction is designed to satisfy an initial set of requirements: independent memories (and the management of those memories) and, initially, flexibility.

Highly targeted hand crafted solutions can provide the best performance at the cost of flexibility and development time. A more flexible system introduces impediments such as copying and allocation. Consequently, the initial communication system design is a compromise between our initial need for flexibility and our long term goal of performance.

To minimize the impact of internal communication design on the rest of the system, a communication manager interface is provided. It hides the underlying communication hardware being used, and the management of the resources associated with synchronous and asynchronous messages. It is responsible for initializing the system, bringing up a substrate (Section 2.2.1), a message registry (Section 2.2.2) and a pool of message processing threads (Section 2.2.3).

### 2.2.1 Substrate

Using an abstract object to provide an interface to the underlying communications allows different communications mechanisms to be plugged in. Two different implementations (or substrates) have been developed:

- TCP/IP—providing a simple and reliable implementation for our initial system, and
- MVIA—a lower overhead solution for local networks.

The role of both substrates is to provide startup and shutdown of connections, and to handle outgoing and incoming messages.

Startup in a reliable and static set of nodes is simple. A node is designated as the coordinator and all initial connections are made with it. In turn, the coordinator informs all the nodes about all the other nodes. Each establishes the connections required with its peers. Once the connections are established, each node may send messages to and receive

messages from any other node. Later development will include the case where nodes join and leave the set while it is running.

Transmitting a message requires that message to be encoded into a buffer before being sent. A buffer is obtained from the substrate which maintains a pool of buffers, eliminating allocations requiring *garbage collection* (GC). This pool can be expanded if an inadequate number of buffers are currently available. Transmitted buffers are sent back to the pool to be reused. This buffer mechanism adds one level of copying to the transmission process. However, in the case of MVIA, it allows these buffers to be permanently locked in memory and used directly by the hardware.

Incoming messages are handled by message receiver threads. Each receiver thread blocks on a read from a connection. It processes the incoming packets and links them together to form a message; no additional copying is involved. The assembled message is then decoded (see Section 2.2.2) and executed, after which it waits for the next message.

### 2.2.2 Messaging Model

Flexibility plays a significant role in the initial system design. To achieve this, a class tree of message types is developed, which allows for quick and easy extension. Such a system introduces some overhead in the form of additional method calls and translation costs.

Each message type is described by a message class, which extends and implements a common abstract class. Each message class encapsulates the code to *send*, *decode* and *process* a message. Thus, the message functionality is message type dependent and may in part be determined at send time as either:

- A *synchronous message*, requiring a response before processing continues (for obtaining data, locks and invoking methods), or
- An *asynchronous message*, which does not need to block the sender. An asynchronous message:
  - does not require a response (commonly used for GC messages), or
  - requires a response (may be used for some system load monitoring or other non time-critical information).

#### *Send*

The send method first requests a buffer from the substrate and encodes itself into that buffer. A message requiring a response registers itself with the communication manager before sending it through the substrate to the target node, and waits for the response message to notify it.

#### *Decode*

Upon receipt, the message type is determined and the appropriate decode method is invoked. The decode method recovers the message from the buffer and does any initial processing where appropriate. A message that will only take a short time to execute may process itself and immediately

generate a response (if required), e.g. getting a field of a remotely held object. A method that would potentially take a long time to execute (such as a method invocation) may grab an available message process thread for later processing.

### Process

This contains the code to perform the actual processing of the message. It may be invoked either by the decode method (for short duration operations) or by a handler thread.

#### 2.2.3 Message Processing Threads Pool

A pool of threads waiting to handle incoming requests is managed by the communication manager. A message that only takes a short time to process may be handled immediately. Other messages will be handed over to a handler thread, thus freeing its message receiver thread to process other incoming messages.

A handler thread is removed from the pool, passed the message to be processed and scheduled for processing, returning control to the calling thread. The handler thread will process the message and, on completion, place itself back on the queue waiting for the next message to process.

## 3. VM MODIFICATIONS

### 3.1 Class Loading and Resolution

The Jikes RVM maintains descriptions of types in the form of `VM_Class`, `VM_Field` and `VM_Method` objects. Loading a Java class generates a set of these objects to describe the type information of that class. In a distributed context this raises issues of acquisition and ownership of class information. Furthermore, the dynamic class loading mechanism of Java provides an opportunity to intercept the incorporation of classes and codes into the executing system. These issues are discussed in this section.

#### 3.1.1 Distributed Class Loading

In a distributed system, it is necessary to have a commonly agreed to identification of these classes, and in the dJVM we use a centralized class loader to achieve this. Centralized class loading has some advantages and disadvantages. It provides a simple single point of coordination, but does create a bottleneck. However, class loading becomes less common as the program executes, and consequently this is not seen as a performance priority in long running applications.

The class loading strategy employed must account for the dJVM boot process and normal running. Therefore, it has two phases:

- **Boot**—an initial boot phase, prior to becoming a member of the cluster, in which classes must be loaded locally. Classes loaded locally must have their identity resolved with classes that are also present on the remote machines prior to centralized class loading being activated.
- **Running**—each class is loaded through a master node, ensuring a commonly agreed to identity for all newly loaded classes.

A set of objects are used to describe the type of a class, i.e. fields, methods and interfaces. A class type remains constant during the lifetime of the JVM. As such, each object describing this high level type information can be copied. Its identity is maintained by mapping each local copy to the same global identifier (UID).

In addition to replicating type information, for performance purposes, it is necessary to replicate literal values and static finals. This requires the class loading process to obtain these values and place them in the local VM's table of contents (JTOC). Furthermore, the local dictionaries used to maintain indexes to this data must also be updated.

Once loaded, a class can be instantiated. Instantiation compiles all static and virtual methods needed. Compilation can be done locally, generating code objects that are only visible within a node. The code generated is placed in arrays of type `INSTRUCTION` which can be directly executed. Each object has a TIB<sup>1</sup> (Type Information Block) as part of its header that describes some low level type specific information which includes a method table. In a homogeneous system, it is possible to replicate the TIB objects and the method code objects (this will be explored later).

The final phase is class initialization. This executes the static initialization code `<clinit>` for a class. In a JVM, class initialization happens only once. However, in the dJVM some of the runtime support structures are local to each node and must be initialized on each node where it is used. Thus, class initialization:

- for a runtime support class (specified by implementing `DVM_LocalOnlyStatic`), occurs once on each node that uses it, or
- for a globally used class, occurs once on the master node.

Recall that the runtime support classes are for the internal management purposes of the dJVM and not for use by the application.

#### 3.1.2 Dynamic Class Loading

The dynamic class loading mechanism of Java allow the definition and use of user class loaders. Loading classes through this mechanism provides opportunities to modify class definitions and code (see [11]). This provides a powerful tool which has been used to implement persistence and can be used to effect distribution. Mechanisms at the user class loader level suffer from two drawbacks:

1. User class loaders are prevented from operating on system classes. Although this does not prevent wrapper classes from being used to redefine system class behavior, it does impede the development of effective transformations as well as the efficiency of those transformations.

---

<sup>1</sup>A TIB is an object used to describe object type information.

- Once a class has been loaded into a virtual machine, it becomes immutable. This prevents later refinement or optimizations that become apparent as more information about the class hierarchy is obtained.

In the Jikes RVM, these two disadvantages disappear.

A small set of bytecode transformation tools (see [17]) integrated into the Jikes RVM are used to provide hooks for applying code transformations for effective distribution. The use of these tools minimizes the intrusiveness of the modifications to the compilation systems within the Jikes RVM by allowing transformations of class hierarchies, class signatures and method bytecodes including system classes. If necessary, these changes can be masked from the application code through a modified introspection mechanism.

### 3.2 Method Invocation

When a method is invoked on an object, there are two main issues that need to be addressed before the method can be executed. The first is to determine where the object containing the method resides. The second is to decide where the method should be executed. We deal with the first issue in Section 3.4. Here, we look at the latter issue, that of method execution.

Once we locate the home node of the object, we need to decide where to execute the invoked method. We can migrate the object to the node that invoked the method and execute it there. However, effective object placement locates objects at nodes based on execution pattern and hence, random movement of objects is to be avoided. Therefore, we will not pursue this approach and will use the following options based on context.

- Where the method is a static method, or is a method that does not access fields of its object, or accesses only *immutable* (that is, *read only*) fields of its object, the method is executed locally, since the method code is replicated and available locally. The immutable fields of the object are cached locally to reduce remote accesses.
- In all other cases, the method is executed on the node where the object is located, through the remote method invocation mechanism described in Section 2.2.

If an object is known to be immutable, then that object is replicated and cached locally. The LID to UID mapping of that object is changed to indicate that it is locally cached.

When we execute a method on a remote node, the execution context of the corresponding thread changes, along with the physical identity of the thread. However, the global identity of the thread must not change. In order to ensure this, each logical thread has a unique global identifier and the mapping of that identifier to a local physical thread (`VM_Thread`) is changed at each node where it executes. This requires special handling and caching of application level threads, i.e. threads that extend `java.lang.Thread`.

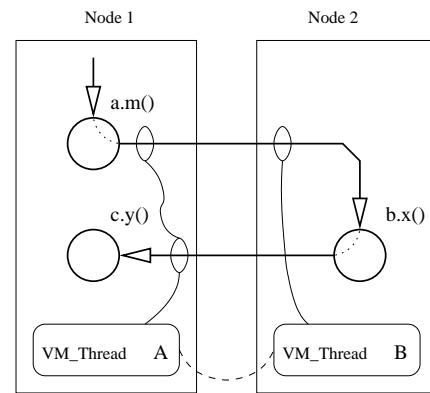


Figure 1: Local `VM_Thread` Reuse.

This raises the question of the reuse of local thread structures. Figure 1 depicts a thread, *Thread A*, instigated on *Node 1* that remotely calls a method `b.x()` on *Node 2*. The local thread structure, *Thread B*, is given the same global identity as *Thread A*. Method `b.x()` performs a remote call to method `c.y()` back on *Node 1*. Local *Thread A* is reused, continuing the processing of threads call chain. This is more efficient than allocating a new thread at *Node 1* that logically should have the same global identity as *Thread A*. Our design differs in this respect from that of [2], where they create a new thread at *Node 1* in such a scenario.

Method calls are synchronous. Thus, a call made to another will block the instigating thread until that call is satisfied. However, as in the above example, if the same global thread calls a method on that node, then the blocking thread is interrupted and informed of the new incoming operation it is required to perform. Once that operation has been completed, it returns to waiting for the remote method call to return.

To effect a remote invocation, a message encapsulating the identity of the thread and the method to be executed, along with the appropriate parameters, is generated. This message is passed to the target node, where a local thread resource is assigned (if one already hasn't), the parameters placed on the stack and the appropriate method invoked. This mechanism can be implemented either by:

- Inline code modification*—Code is constructed at compile time to retrieve the parameters from the stack (converting each reference from a local to a global representation), packing them into a message, which is sent as a request to the target node. Upon receipt of an invocation request, the parameters must be unpacked onto the stack and the method invoked. However, such a method can pollute the instruction cache of the initiating site.
- Proxy methods*—Each method that is compiled has two additional methods generated, *proxy* and *stub*. The first packs and sends a request and the second unpacks and invokes the method. This requires determining whether an object is local or remote. In [3], the authors state that “We cannot make this determination by using different classes for the master and proxy,

or by adding a field to the application, as the introspection APIs would make this visible to the application, violating SSI<sup>2</sup>. However, this can be circumvented by modifying the introspection mechanism in the Jikes RVM runtime libraries, so that the mutations in the class definitions are hidden from the application.

Clearly, the second solution is cleaner and more flexible. For expediency, in the initial prototype we used the first solution, but have moved to the second solution with the port of Jikes RVM 2.2.0.

Exceptions and interrupts must also be accounted for. A thread that handles an incoming request must catch all possible exceptions from the application code. Once an exception is caught, it must package that exception and return it to the node that initiated the call, where it will be re-raised. By contrast, an interrupt must be propagated along the call chain to the node currently executing the global thread, where it is finally dispatched to the underlying `VM.Thread`.

### 3.3 Data Access

In broad terms, there are two areas that need to be considered: globally referenced data (i.e. static variables) and instance data (i.e. objects and arrays).

#### 3.3.1 Globally Referenced Data

Each node must manage its local resources. The local resource management information in a non-distributed JVM is global data. However, in a distributed JVM, most of that information is global only within the context of that node. Hence, the set of static variables in a distributed JVM can be divided into two mutually disjoint sets, namely:

1. the set of static variables that are global to all the nodes, and
2. the set of static variables that are global within a specific node.

One way to implement the above is to encapsulate the node specific information in an object that is visible only within the specific node. Another is to change the code that accesses static data according to the data that is being accessed. We take the second approach.

A runtime test is necessary to determine if a static variable is held locally or remotely. Furthermore, as the Jikes RVM is written in Java, including all its runtime structures, this raises two issues that must be dealt with:

1. Determine whether or not the static variable under consideration is just a local runtime support variable.
2. If not, check whether it is of the type that may be held locally or remotely. If so, test where it is actually located by using a local runtime structure.

If care is not taken, then the code generated to test whether a static variable is locally or remotely held may itself require a similar test, resulting in an infinite loop.

In the Jikes RVM, the static fields are held in a Java Table of Contents (JTOC). Associated with each field is a descriptor that identifies the category and type of information held, e.g. literal `int`, static field `long`. The set of descriptors is an array of bytes, held as a static array in `VM.Statics`, and is referenced from the JTOC. Each descriptor has two unused bits and we use these to indicate whether it is a read only field and/or a remotely held field.

In general, the runtime support classes in the Jikes RVM only contain static variables that are used locally within a node. This is communicated to the compiler through a simple annotation method commonly used in Java – an empty interface `DVMLocalOnlyStatic` implemented by any class that contains static data that is always accessed locally. The code generated to access a static field of such a class is unchanged from that of the original compiler. For other classes, the test described above is performed. Clearly, this does not introduce any overhead for locally used static variables. However, it does introduce some overhead for other static variables. The overhead will be reduced in later implementations by combining the descriptor and JTOC information into the one array.

#### 3.3.2 Instance Data

The approach taken to implementing the reference faulting mechanism, outlined in Section 3.4, dictates the changes necessary to the compilers for handling instance data. In particular, there are four different types of code to consider: object and array access, code execution, lock operations and type checks.

Field access (`getField` and `putField`) and array element access (`aaload`, `aastore` etc.) dereference an object<sup>2</sup> to determine the memory location of the data. The software detection of remote references mentioned in Section 3.4 necessitates a test of the reference itself. A local reference is accessed in the normal manner, whereas a remote access is initiated by calling a static method, which generates a message that contains a description of the remote operation (see Section 2.2).

#### 3.3.3 Type Operations

The remaining operations are type checking operations. Explicit type checking operations (`checkcast` and `instanceof`) can interrogate the types through remote calls. We cache this information locally, since an object's type remains unchanged during its life time. Any interrogation of an object to obtain its TIB is intercepted to obtain the TIB from the local cache.

### 3.4 Object Location

We use a reference faulting mechanism to determine whether an object has a locally held copy, or is only available remotely. This is achieved by using an appropriate global and local addressing scheme for objects. Each object has an associated *universal identifier* or *UID* that uniquely identifies the object in the cluster. The UID needs to be resolved into an object address at a specific node. One of the ways in which the UID can be allocated is *centrally*, where the

<sup>2</sup>An array element access is considered to be a variant of field access.

allocation of UIDs is done by a master node in the cluster. However, this could lead to a bottleneck at that node. We have chosen to use a *decentralized* approach, where each node in the cluster allocates a UID for an object that it owns, from a range of UIDs under its control. A UID is generated when an object reference is exported for the first time. The node that owns an object is called the *home node* of that object. While this eliminates the above mentioned bottleneck problem, it does lead to more complicated updates resulting from object movement from one node to another.

At any given node in the cluster, an object reference either points to a local object or to a remote object. In our implementation, a local object has an associated *object identifier* or *OID*. This is identical to the address of the object at that node and thus avoids any overheads incurred through indirection tables or indexes. A remote object has an associated *local logical identifier* or *LID* at that node. This LID needs to be mapped to the UID of the object to determine its exact location in the cluster.

In the Jikes RVM, all object and array addresses are 4 byte aligned. We use this property to make the reference faulting mechanism work. All the LIDs are misaligned, while the OIDs, being actual object addresses, are not. This can be implemented by either:

- *Software*—Misaligned addresses can be detected by examining the LSBs (least significant bits) of an address and branching if not zero. This introduces a couple of instructions into the instruction pipeline. Importantly, no indirection or additional loads are required.
- *Hardware*—In the Jikes RVM, checking array bounds and object types are 4 byte aligned operations, and their interrogation via a misaligned address will cause a hardware trap. Most accesses will be to local objects, so the added expense of a hardware trap for remote objects will be outweighed by zero overhead for local access.

We have currently implemented this using software, but intend to implement the hardware faulting mechanism.

### 3.5 Locking

Locking operations are directed to the home node of the object, and in the case of locks on classes they are directed to the home node of the class (the master node). The thread identifier sent with the lock is the global identifier of the thread, for obvious reasons. A thread that already has a lock can acquire additional locks on the same object. The number of locks and unlocks must be equal. For efficiency, additional requests need not be sent to the home node. A local count can be kept, and an unlock request sent to the home node once the count reaches zero.

The explicit lock operations `monitorenter` and `monitorexit` are handled by the Jikes RVM runtime system and do not need compiler modifications. Implicit locks on object instances (`synchronized` methods) are similarly handled. However, implicit locks on statics must be directed to the

home node of the class. In the case of classes that implement `DVM_LocalOnlyStatic`, this is done locally. In all other cases, it is done by the master node.

## 4. OBJECT ALLOCATION AND PLACEMENT

In order to enable the distribution of objects across the nodes in the cluster, there should be a way of remotely allocating an object on a specified node. In the Jikes RVM, the `VM_Allocator` class does the work of object allocation. In dJVM, this is replaced with an allocator that directs requests to a standard local allocator or to an allocator on another node. On initialization, each node will have an instance of an allocator that directs allocation requests to the local node. Each allocator instance acts as a placeholder, enabling the remote invocation mechanism to be used to effect remote allocation requests to specific nodes. The UID of this placeholder object is known to all the other nodes. A remote allocation request is passed on to the placeholder object of the node at which the allocation is to be made, which then allocates the object locally at that node.

Introducing a local or remote allocation decision process at runtime can be expensive. Compile time analysis can eliminate some of these decisions by generating local allocation code where it is clearly sensible to do so. Object placement is important for load balancing and performance improvements. Ideally, a new object should be placed on the node where it is most required. In [2, 3] a number of techniques and patterns were examined to improve efficiency and these will be incorporated into the dJVM. Additionally, we will examine further techniques using escape analysis, call chain, and static and dynamic profiling information to enhance object placement.

## 5. CONCLUSIONS AND FUTURE WORK

In this paper, we presented some of the design issues that we came across in developing dJVM. We also outlined some solutions to these issues. Currently, we have a working prototype that uses the baseline compiler. We are working on modifying this prototype to use the latest version of the Jikes RVM. Once this is done, we will look at the following issues:

- *Optimizing Compiler*—The optimizing compiler implements a range of analysis and optimization techniques. These optimization techniques can be applied to the Jikes RVM (and hence our extensions) as well as the application code. Consequently, we intend to use facilities such as escape analysis and profiling, to feed into the object placement and migration decision making processes.
- *Proxy/Stub*—For code execution a proxy/stub mechanism provides a cleaner implementation of code invocation. This will be mixed with the reference faulting scheme, to provide minimum overhead for field and array accesses, while providing a clean implementation for remote calls.
- *Communication*—Flattening the communication hierarchy and removing all but essential object creation and data copying.

From our experience with building the dJVM, we feel that the JVM specification should allow for a system class loader facility that minimizes the set of system classes that cannot be modified. Although, such a mechanism does raise significant security issues.

Concurrently with the development of dJVM using the optimizing compiler, we will investigate techniques to improve performance. We intend to use techniques such as code analysis, and static and dynamic profiling, for determining object placement and migration, object caching and thread migration. We also intend to implement efficient distributed garbage collection algorithms.

## 6. ACKNOWLEDGMENT

The dJVM project is funded under the ANU-Fujitsu CAP Research Program.

## 7. REFERENCES

- [1] Bowen Alpern, Anthony Cocchi, Derek Lieber, Mark Mergen, and Vivek Sarkar. Jalapeño—a Compiler-supported Java Virtual Machine for Servers. In *Workshop on Compiler Support for Software System (WCSS99)*, Atlanta, May 1999.
- [2] Yariv Aridor, Michael Factor, and Avi Teperman. cJVM: a Cluster Aware JVM. In *First Annual Workshop on Java for High-Performance Computing (with ICS99)*, Rhodes Greece, June 1999.
- [3] Yariv Aridor, Michael Factor, and Avi Teperman. Implementing Java on Clusters. In *Euro-Par 2001, LCNS 2150*, pages 722–732, Rhodes Greece, 2001. Springer-Verlag.
- [4] D. Caromel and J. Vayssiere. A Java framework for seamless sequential, multi-threaded, and distributed programming. In *ACM 1998 Workshop on Java for High-Performance Network Computing*, INRIA Sophia Antipolis, Greece, 1998.
- [5] DCS. Bunyip (Beowulf) Project. <http://tux.anu.edu.au/Projects/Bunyip/>.
- [6] Michael Hicks, Suresh Jagannathan, Richard Kelsey, Jonathon T. Moore, and Cristian Ungureanu. Transparent Communication for Distributed Objects in Java. In *ACM 1999 Conference on Java Grande*, pages 160–170, San Francisco, California, USA, 1999. ACM Press.
- [7] P. Launay and J. Pazat. A framework for parallel programming in Java. EUT Report 1154, IRISA, December 1997.
- [8] T. Lindholm and F. Yellin. *The Java Virtual Machine Specification*. 2nd edition, 1999.
- [9] M.J.M. Ma, F.C.M. Lau C.L. Wang, and Z. Xu. JESSICA: Java-Enabled Single System Image Computing Architecture. In Ronald Morrison, Mick Jordan, and Malcolm Atkinson, editors, *International Conference on Parallel and Distributed Processing Techniques and Applications (PDPTA 99)*, Las Vegas, July 1999.
- [10] M. MacBeth, K. McGuigan, and P. Hatcher. Executing Java threads in parallel in a distributed-memory environment. In *IBM Centre for Advanced Studies Conference*, Canada, November/December 1998.
- [11] Alonso Marquez, John N Zigman, and Stephen M Blackburn. Fast portable orthogonally persistent java. *Software: Practice and Experience*, 30(4):449–479, April 2000.
- [12] NERSC. M-VIA. <http://www.nersc.gov/research/FTG/via/>.
- [13] Objectspace. Voyager. <http://www.objectspace.com/products/voyager/>.
- [14] Michael Philippsen and Matthias Zenger. JavaParty—Transparent Remote Objects in Java. *Concurrency: Practice and Experience*, 9(11):1225–1242, November 1997.
- [15] VIArch. VIArch. <http://www.viarch.org/>.
- [16] Weimin Yu and Alan L. Cox. Java/DSM: A Platform for Heterogeneous Computing. *Concurrency - Practice and Experience*, 9(11):1213–1224, 1997.
- [17] John N Zigman. Bytecode Transformation Tools for Jikes RVM. <http://www.wastegate.org/systems/>.