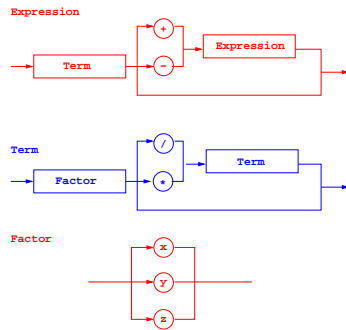
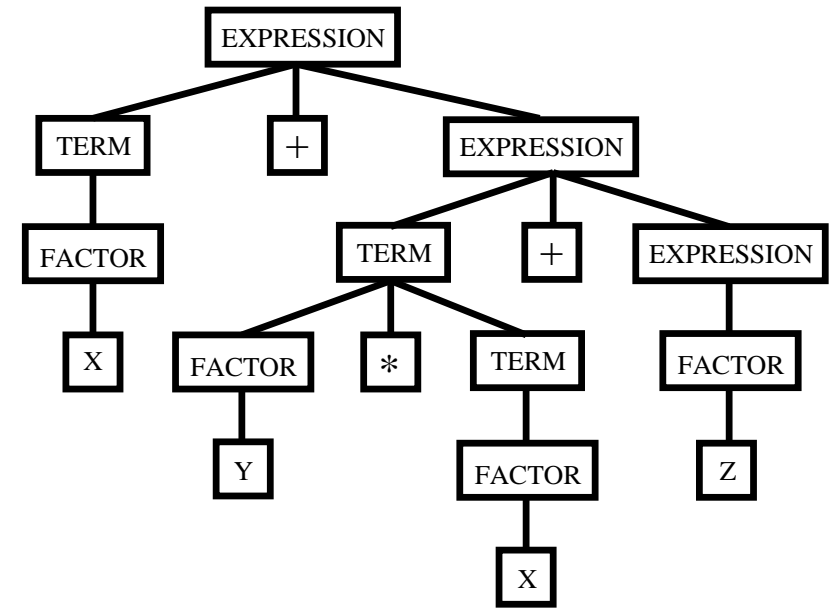


[4/15] The syntax diagrams representing a simple algebraic expression are as follows:



Draw the parse tree for the expression $x + y * x + z$



[4/23] The two ways that a parameter may be passed to a procedure are by reference and by value and the difference between these two ways is

For a parameter passed by value, any alteration made to the data only applies within the procedure

For a parameter passed by reference, any alteration made to the data applies globally in the program